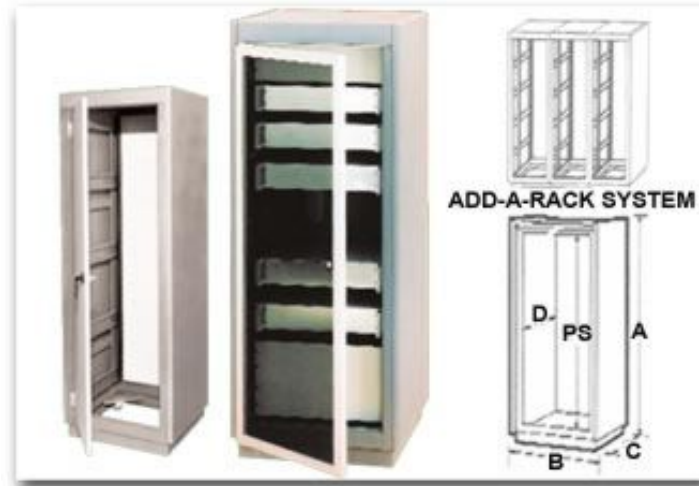




Large Cabinet Racks  
**Series 60**



**Design Features**

- \*All welded 14 gauge steel frame with "U" shaped 16 gauge steel panel mounting rail supports.
- \*Door, 20 gauge steel. Sides and top, 18 gauge steel.
- \*Adjustable front and rear panel mounting rails tapped #10-32 on E.I.A. universal spacing. (use #7346 screws - order separately)
- \*Accommodates 19" wide E.I.A. panels.
- \*Bottom pierced for RC-7758 casters. \*1.109 inch diameter knockout holes in base.
- \*1200# equipment load capacity.

**Bonus Features**

- \*Interiors are accessible from front and rear for easy installation and maintenance of components.
- \*One door furnished. May be used on front or rear.
- \*Add-A-Rack System used to combine two or more enclosures into one integral system.
- \*Shipped completely assembled.

**Finishes**

Grey Texture (GT), Royal Blue Texture (RB). Available in other Bud textured finishes at no extra cost.

**SERIES 60 Cabinet Rack (19" Panel Width)**

Catalog No.	Accessories	Drawings	Panel Space (PS)	Outside Height (A)	Outside Width (B)	Outside Depth (C)	Clear Inside Depth (D)	Weight (Lbs.)
60-2300			21.00"	29.62"	24.06"	22.00"	20.50"	112
60-2301			31.50"	40.12"	24.06"	22.00"	20.50"	137
60-2302			42.00"	50.62"	24.06"	22.00"	20.50"	162

60-2303	52.50"	61.12"	24.06"	22.00"	20.50"	189
60-2304	61.25"	69.87"	24.06"	22.00"	20.50"	215
60-2305	70.00"	78.62"	24.06"	22.00"	20.50"	227
60-2306	78.75"	87.37"	24.06"	22.00"	20.50"	244
60-2307	21.00"	29.62"	24.06"	25.50"	24.00"	123
60-2308	31.50"	40.12"	24.06"	25.50"	24.00"	145
60-2309	42.00"	50.62"	24.06"	25.50"	24.00"	170
60-2310	52.50"	61.12"	24.06"	25.50"	24.00"	202
60-2311	61.25"	69.87"	24.06"	25.50"	24.00"	216
60-2312	70.00"	78.62"	24.06"	25.50"	24.00"	231
60-2313	78.75"	87.37"	24.06"	25.50"	24.00"	263
30-2300	21.00"	29.62"	24.06"	30.75"	29.25"	154
30-2301	31.50"	40.12"	24.06"	30.75"	29.25"	174
30-2302	42.00"	50.62"	24.06"	30.75"	29.25"	202
30-2303	52.50"	61.12"	24.06"	30.75"	29.25"	225
30-2304	61.25"	69.87"	24.06"	30.75"	29.25"	245
30-2305	70.00"	78.62"	24.06"	30.75"	29.25"	268
30-2306	78.75"	87.37"	24.06"	30.75"	29.25"	294

PART NAME

SERIES 30 UPRIGHT CABINET RACK

PART No.

30-2300 TO 30-2306

REV. DATE

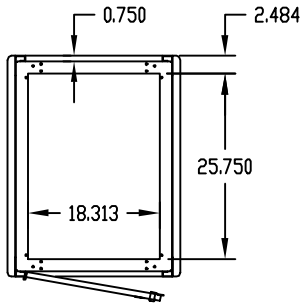
1-2-02

**FINISH:**

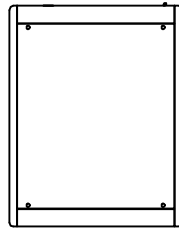
FRAME ASSEMBLY, DOOR, SIDES,  
TOP COWLS & TOP COVER \_\_\_\_\_ GRAY TEXTURE OR  
ROYAL BLUE TEXTURE  
PANEL MOUNTING RAILS \_\_\_\_\_ SMOOTH BLACK

**MATERIAL:**

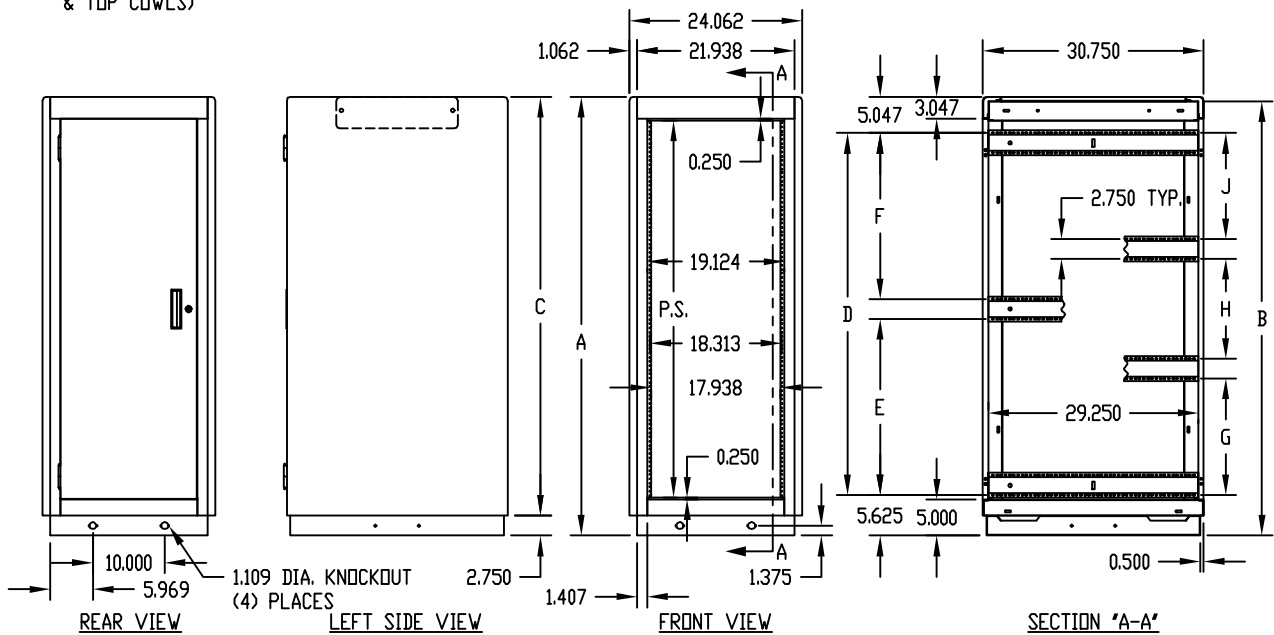
PANEL MOUNTING RAILS \_\_\_\_\_ 12 GA. STEEL  
FRAME TOP, BASE ASSEMBLY,  
FILLERS & VERTICAL RAILS \_\_\_\_\_ 14 GA. STEEL  
RAIL SUPPORTS \_\_\_\_\_ 16 GA. STEEL  
TOP COWLS, TOP COVER & SIDES \_\_\_\_\_ 18 GA. STEEL  
DOOR \_\_\_\_\_ 20 GA. STEEL



TOP VIEW  
(LESS TOP COVER  
& TOP COWLS)



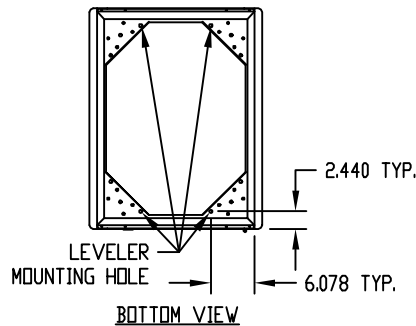
TOP VIEW



PANEL MOUNTING RAILS (FRONT & REAR)  
ARE TAPPED #10-32 ON E.I.A. UNIVERSAL  
SPACING AND ARE FULLY ADJUSTABLE.

BOTTOM PIERCED FOR MOUNTING RC-7758 CASTERS.

LOAD RATING: 1200 LBS. MAX.



PART No.	P.S.	A	B	C	D	E	F	G	H	J
30-2300	21.000	29.625	29.000	26.875	18.937	—	—	—	—	—
30-2301	31.500	40.125	39.500	37.375	29.437	—	—	—	—	—
30-2302	42.000	50.625	50.000	47.875	—	19.281	17.906	—	—	—
30-2303	52.500	61.125	60.500	58.375	—	24.531	23.156	—	—	—
30-2304	61.250	69.875	69.250	67.125	—	28.906	27.531	—	—	—
30-2305	70.000	78.625	78.000	75.875	—	33.281	31.906	—	—	—
30-2306	78.750	87.375	86.750	84.625	—	—	—	25.125	22.312	23.750